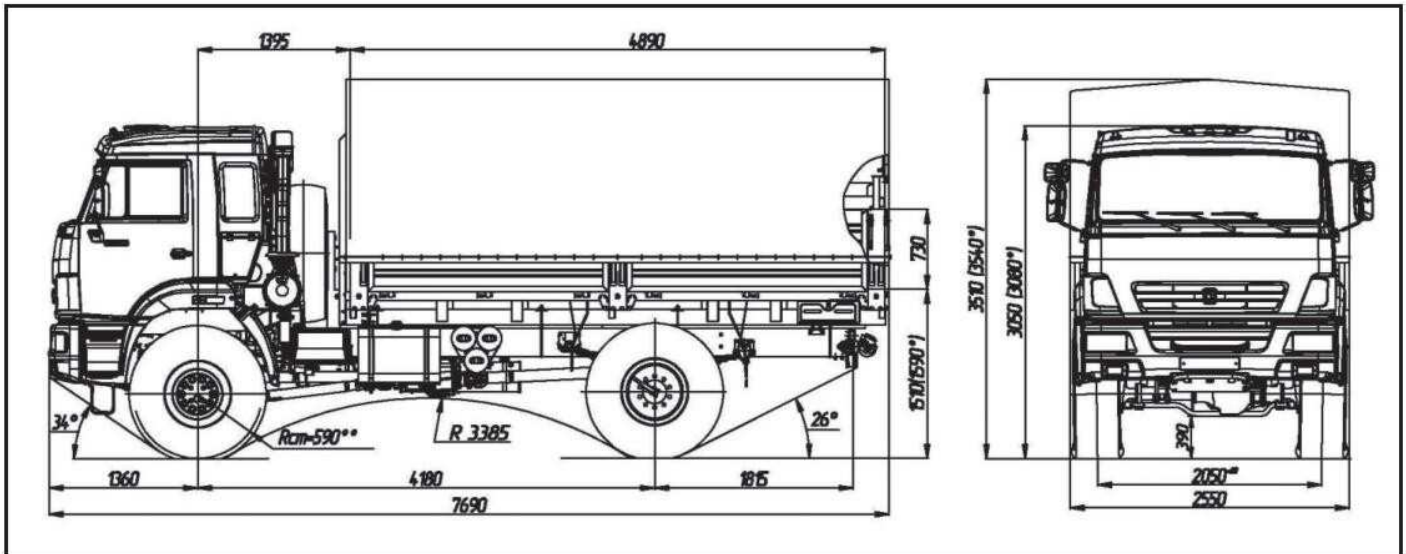




## Flatbed truck KAMAZ-43502-D5



### Technical data flatbed truck **B1228 4x4/4180**

Wheel arrangement	4x4
Vehicle curb weight, kg.	8 500
Vehicle load carrying capacity, kg	4 200
Full weight, kg	12 700
Engine <b>Cummins ISB6.7 E5_285, (EURO 5)</b>	
Rated horse power, kW (hp)	210 (285)
Maximum torque, Nm	1020
Gearbox	ZF 9S1310TO
Maximum gradient, % not less than	50
Maximum speed, km/h.	90
Tires	425/85 R21 or 390/95R20
Platform inside dimensions, mm	
Length/width/height	4890x2470x730