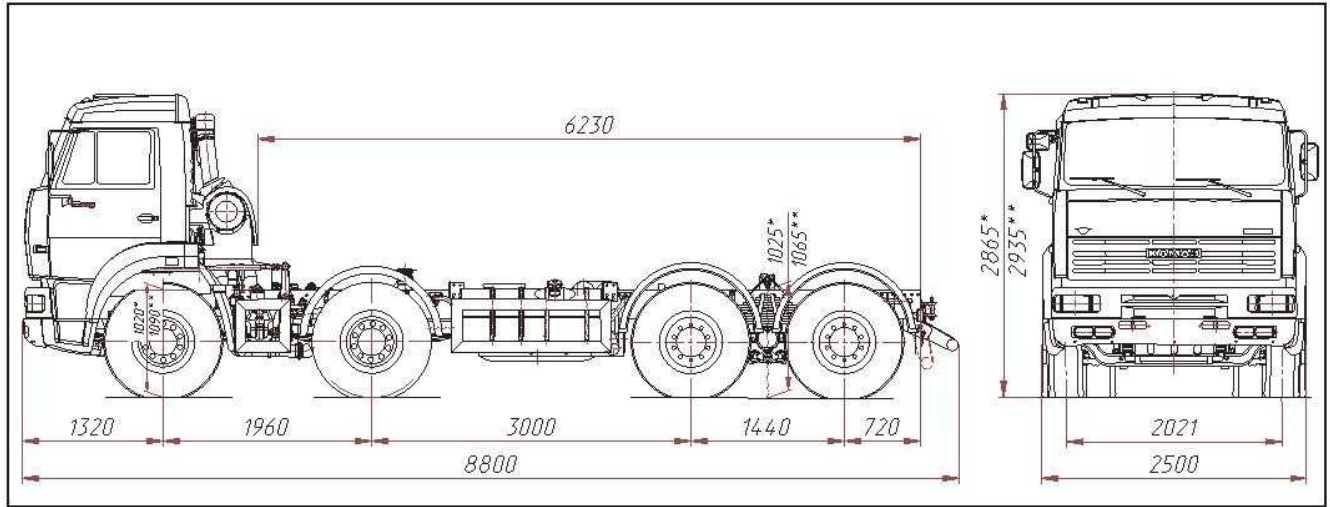




**Chassis KAMAZ-6520-B5**



**Technical data**  
**tipper chassis cab K4140 8x4/3000**

Wheel arrangement	8x4
Vehicle curb weight, kg.	10 850
- front axle load, kg	6 250
- rear bogie load, kg	4 600
Vehicle load carrying capacity, kg	30 150
Full weight, kg	41 000
- front axle load, kg	15 000
- rear bogie load, kg	26 000
Engine Cummins ISL8.9 E5 400, (EURO 5)	
Rated horse power, kW (hp)	294 (400)
Maximum torque, Nm	1700
Gearbox, (manual mechanical)	ZF 16S1825TO
Maximum gradient, % not less than	25
Maximum speed, km/h.	90
Tires	12.00 R20 or 315/80R22,5(tubeless)